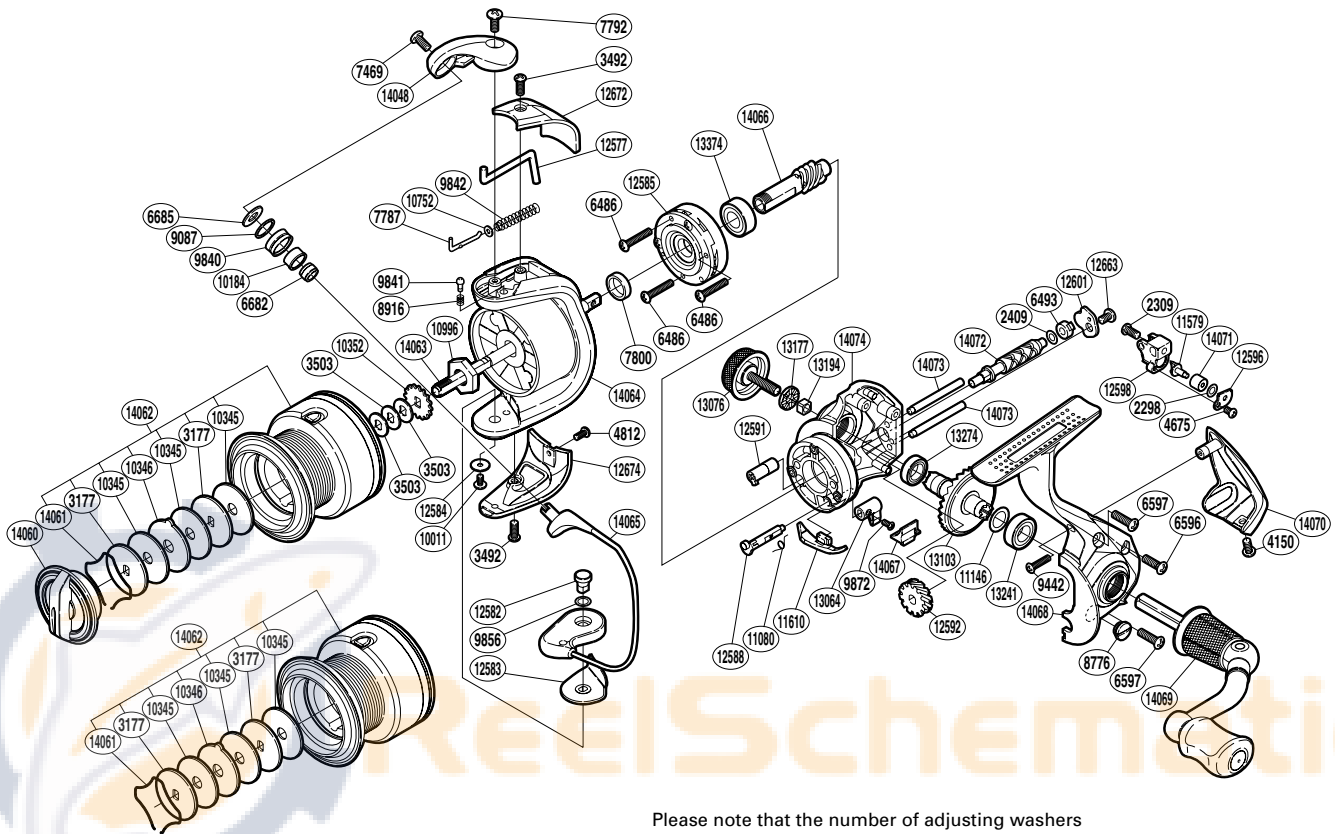


SHIMANO

TECHNIUM  A-RB

TEC-2500FC



(1SG762502G)

Please note that the number of adjusting washers may not be the same as shown in the exploded views. (Adjustment will vary with each individual product.)

Part No.	Description	Part No.	Description	Part No.	Description
RD 2298	Spacer	RD 9856	Washer	RD12674	Bail Hold Support Guard
RD 2309	Screw	RD 9872	Screw	RD13064	Anti-Reverse Lever
RD 2409	Spacer	RD10011	Screw	RD13076	Handle Screw Cap
RD 3177	Key Washer	RD10184	Line Roller Bushing	RD13103	Drive Gear
RD 3492	Screw	RD10345	Drag Washer	RD13177	Handle Screw Cap Spacer
RD 3503	Spool Washer	RD10346	Eared Washer	RD13194	Handle Screw Lock
RD 4150	Screw	RD10352	Spool Support	RD13241	Ball Bearing
RD 4675	Screw	RD10752	Spring Guide A Support	RD13274	Ball Bearing
RD 4812	Screw	RD10996	Rotor Nut	RD13374	Ball Bearing
RD 6486	Screw	RD11080	Anti-Reverse Cam Spring	RD14048	Bail Arm
RD 6493	Worm Bushing (rear)	RD11146	Washer	RD14060	Drag Knob
RD 6596	Screw	RD11579	Oscillating Pawl	RD14061	Drag Washers Retainer
RD 6597	Screw	RD11610	Bail Trip Strike	RD14062	Spool Assembly
RD 6682	Line Roller Collar	RD12577	Bail Trip Lever	RD14063	Main Shaft
RD 6685	Line Roller Washer	RD12582	Bail Hold Support Shaft	RD14064	Rotor
RD 7469	Screw	RD12583	Bail Hold Support Spacer	RD14065	Bail Assembly
RD 7787	Bail Spring Guide A	RD12584	Washer	RD14066	Pinion Gear
RD 7792	Screw	RD12585	Roller Clutch Assembly	RD14067	Anti-Reverse Lever Cover
RD 7800	Rotor Ring	RD12588	Anti-Reverse Cam	RD14068	Side Cover
RD 8776	Oil Cap	RD12591	Worm Bushing (front)	RD14069	Handle Assembly
RD 8916	Click Spring	RD12592	Idle Gear	RD14070	Rear Protector
RD 9087	Line Roller Spacer	RD12596	Oscillating Pawl Cover	RD14071	Oscillating Slider Bushing
RD 9442	Screw	RD12598	Oscillating Slider	RD14072	Worm Shaft
RD 9840	Line Roller	RD12601	Worm Shaft Retainer	RD14073	Oscillating Guide
RD 9841	Click Pin	RD12663	Screw	RD14074	Body
RD 9842	Bail Spring	RD12672	Bail Spring Cover		